

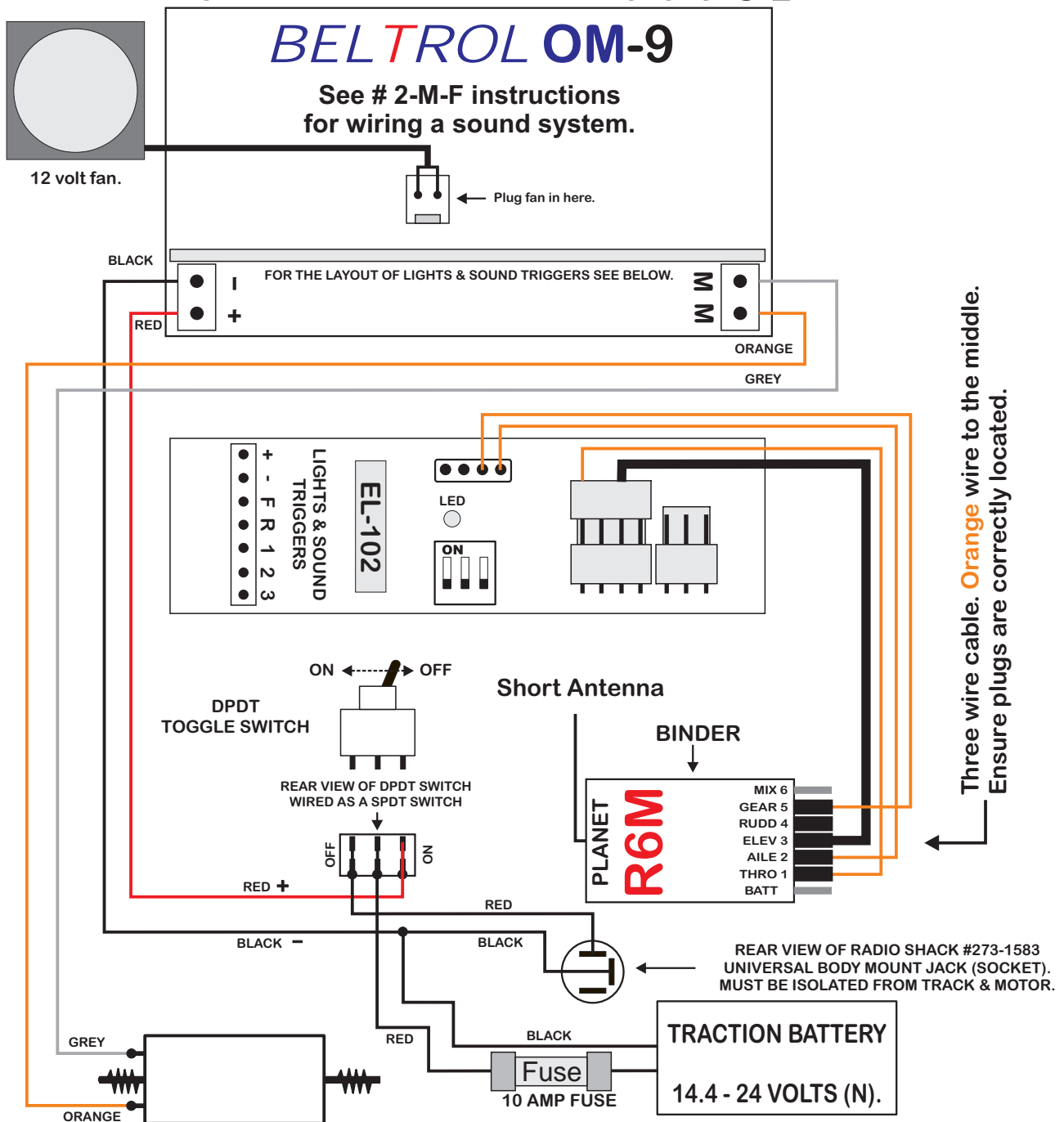
WIRING THE *BELTROL* OM-9 ESC.

PLEASE NOTE. THE LIGHTING OUTPUTS & SOUND TRIGGERS ARE ALL WIRED THE SAME WAY FOR ALL ESC'S.

+ - F R 1 2 3

Please see the sound system brand specific instructions for how to wire a sound system.

http://www.beltrol-rc.com/index.php?page_id=1332



**YOU CANNOT USE ANY OF THE RCS BIK KITS WITH THIS ESC.
USE AT LEAST A 10 AMP RATED SPDT OR DPDT SWITCH.
TO SAVE SPACE IT IS OK TO USE A 5 AMP DPDT SWITCH WIRED AS A SPDT.**