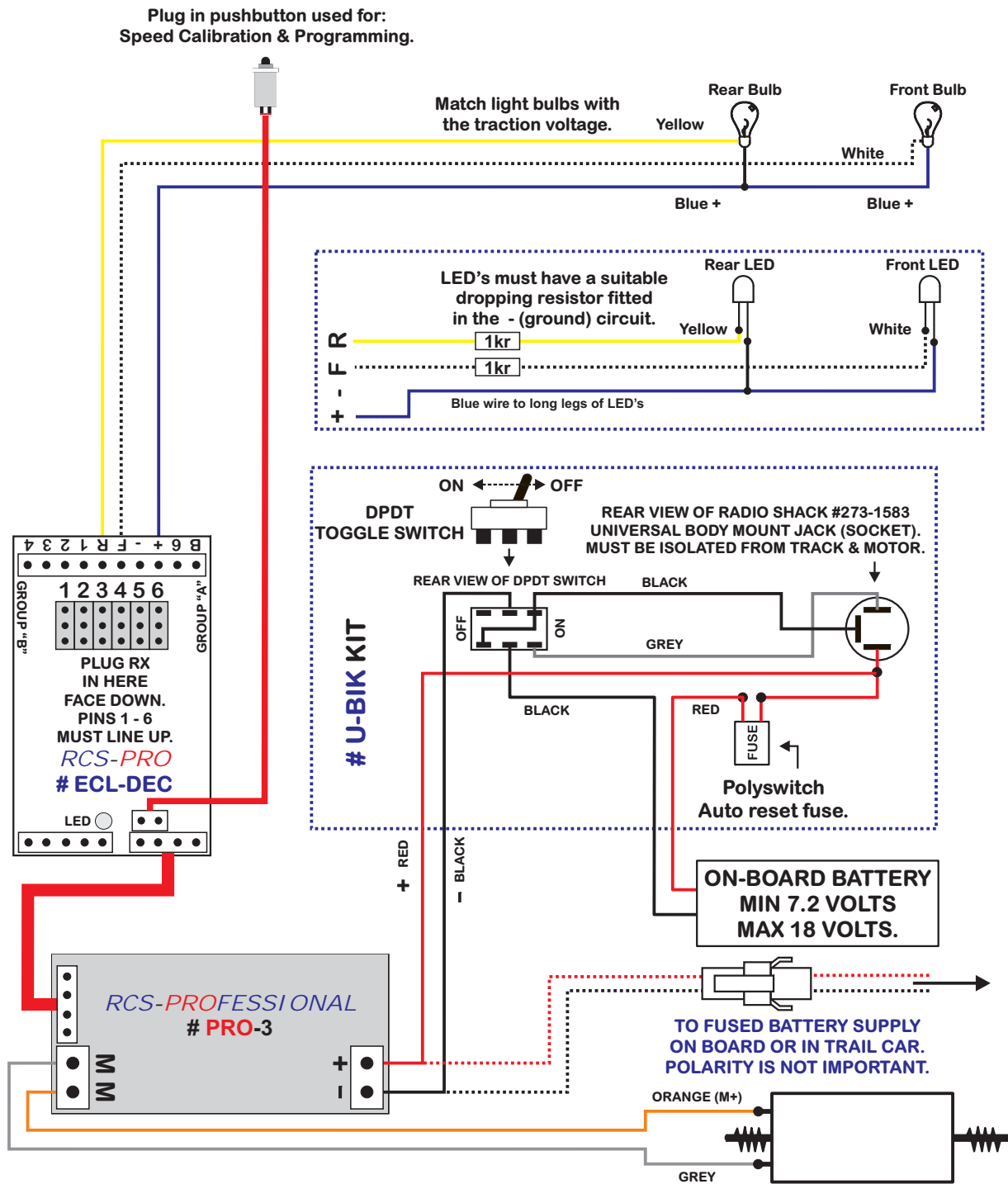


WIRING THE *RCS-PROFESSIONAL* **PRO-3 ESC** with Battery power only. How to wire incandescent & LED lighting.



CAUTION:

SPEKTRUM® R/C & PLANET TWISTER® R/C ARE GROUP "A" SYSTEMS.
 THEY MUST USE THE **PRO-Av1** PROGRAM.

HOBBY KING® R/C & E-SKY® R/C ARE GROUP "B" SYSTEMS.
 THEY MUST USE THE **PRO-Bv1** PROGRAM.