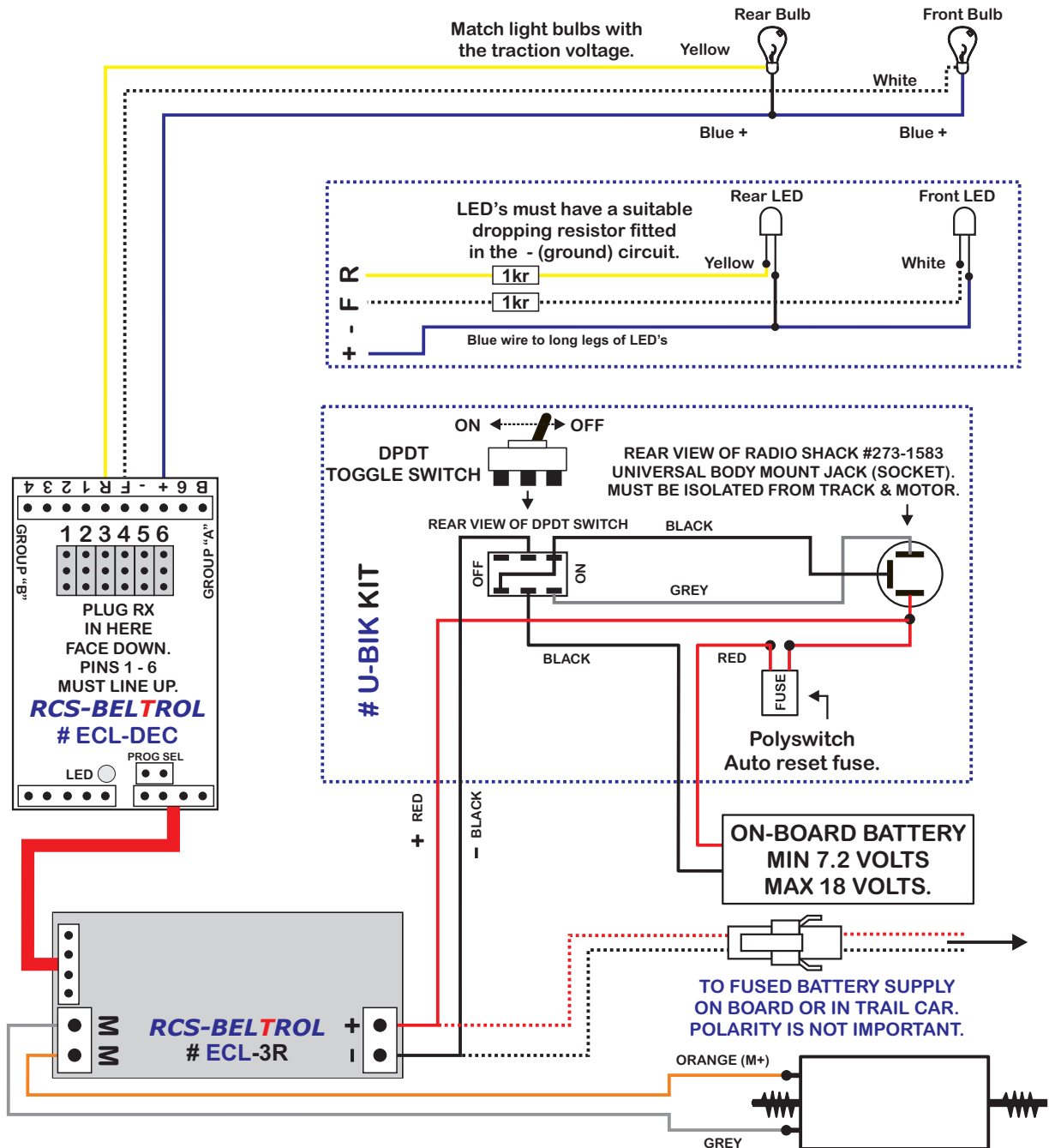


WIRING THE **RCS-BELTROL** ECL-3r ESC with Battery power only. How to wire incandescent & LED lighting.



CAUTION:

SPEKTRUM[®] R/C & PLANET TWISTER[®] R/C ARE GROUP "A" SYSTEMS.
THEY MUST USE THE **BTLvA1** PROGRAM.
HOBBY KING[®] R/C & E-SKY[®] R/C ARE GROUP "B" SYSTEMS.
THEY MUST USE THE **BTLvB1** PROGRAM.